

# 12 Foot Square Straight Light Pole, 4 Inch Wide, 11 Gauge

## PRODUCT DESCRIPTION

**Pole Top Options:** A removable pole cap is provided. If tenon option is selected, a steel tenon will be provided.

**Pole Shaft:** Pole shaft is constructed from ATSM-A500 Grade B cold rolled steel and yield strength of 50,000 PSI. All poles are Polyester powder coated finish Bronze. Standard colors are Bronze, White, Grey and Black. Specialty colors available upon request.

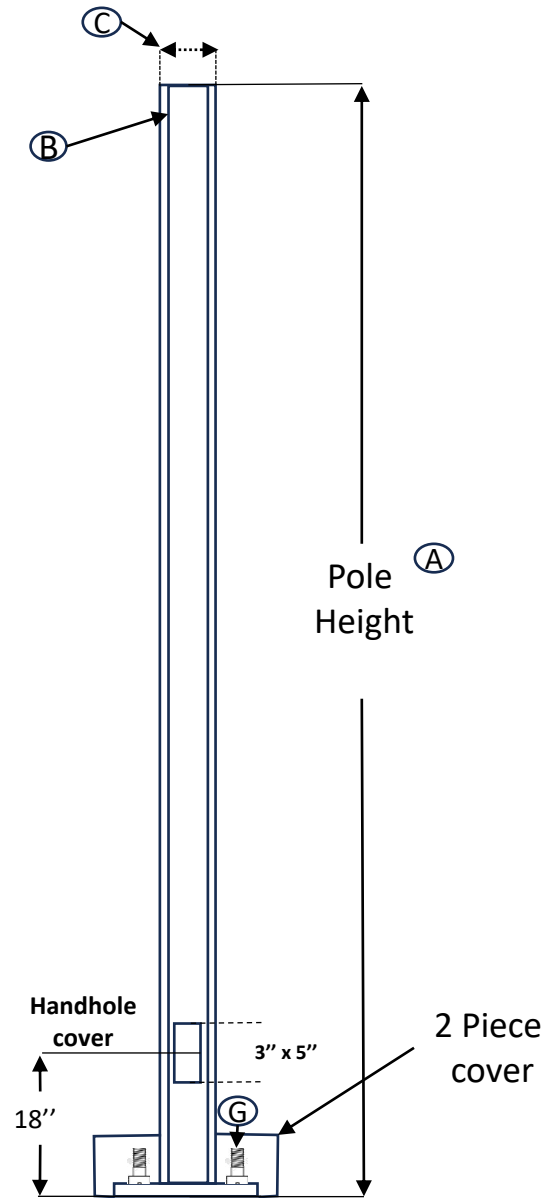
**Handhole:** 3' x 5" size handhole is located at 18 inches from the base made from 18 gauge mild steel and Powder Coated. Handhole cover with screw is provided. A ground lug with set screw is located near the handhole opening for proper grounding of the pole.

**Bolt Circle:** 8 1/2" (Bolt Circle Range 8" – 9")

**Base Cover:** Two piece 18 gauge steel, Polyester Powder Coated

**Warranty:** 5 Years.

**Foundation design:** Foundation should be designed by an engineer familiar with local soil and wind conditions as well local code where the pole(s) will be installed.

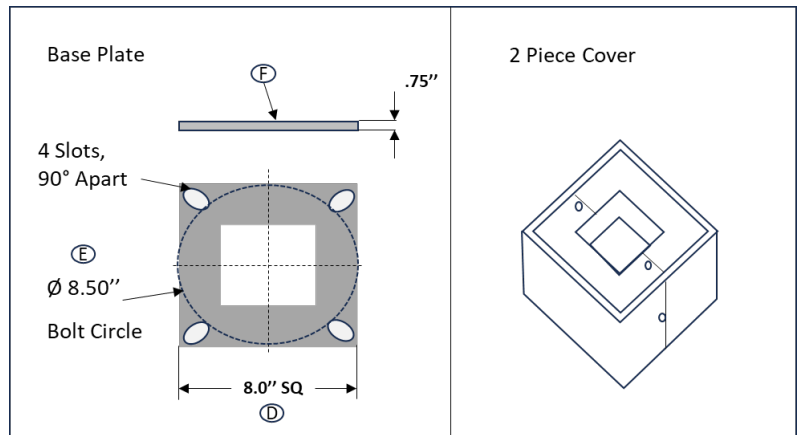


SPECIFICACION TABLE

Mounting Height (ft.)	A	12
Gauge	B	11
Diameter (in.)	C	4
Base Width (in.)	D	8
Bolt Circle (in.)	E	8.5
Base Thickness (in.)	F	0.75
Anchor Bolt Size (in.)	G	0.75 x 17 x 3
Bolt Circle Range (in.)	-	8" – 9"
Pole Weight (lbs.)	-	100

MAXIMUM EPA (SQUARE FEET)

mph	mph	mph	mph	mph	mph
90	100	110	120	130	140
20.6	16.2	14.9	12.1	9.9	8.2



# 15 Foot Square Straight Light Pole, 4 Inch Wide, 11 Gauge



## PRODUCT DESCRIPTION

**Pole Top Options:** A removable pole cap is provided. If tenon option is selected, a steel tenon will be provided.

**Pole Shaft:** Pole shaft is constructed from ATSM-A500 Grade B cold rolled steel and yield strength of 50,000 PSI. All poles are Polyester powder coated finish Bronze. Standard colors are Bronze, White, Grey and Black. Specialty colors available upon request.

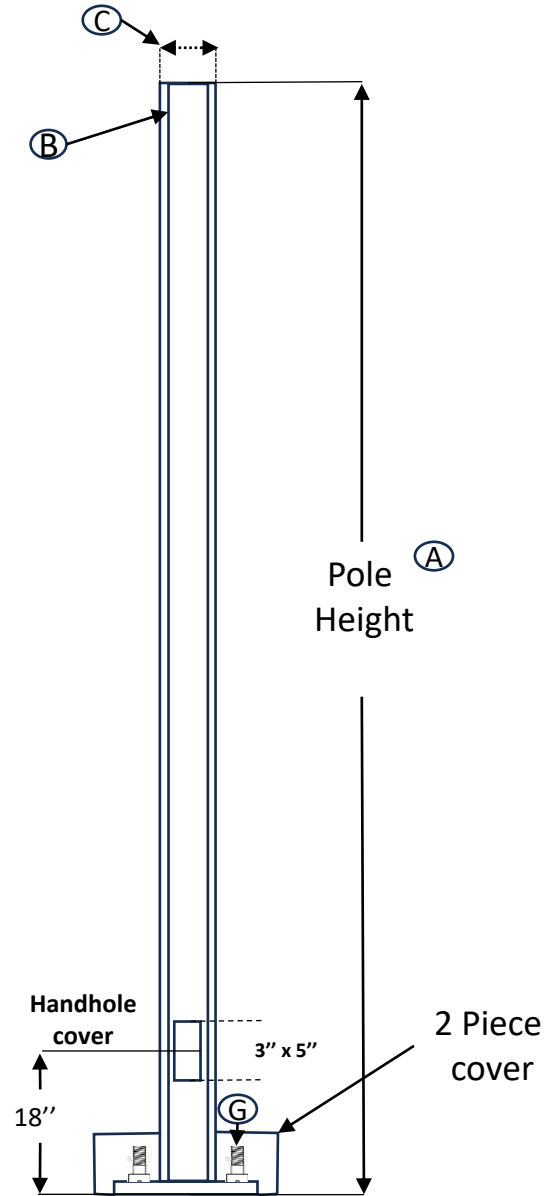
**Handhole:** 3' x 5" size handhole is located at 18 inches from the base made from 18 gauge mild steel and Powder Coated . Handhole cover with screw is provided. A ground lug with set screw is located near the handhole opening for proper grounding of the pole.

**Bolt Circle:** 8 ½" (Bolt Circle Range 8" – 9")

**Base Cover:** Two piece 18 gauge steel, Polyester Powder Coated

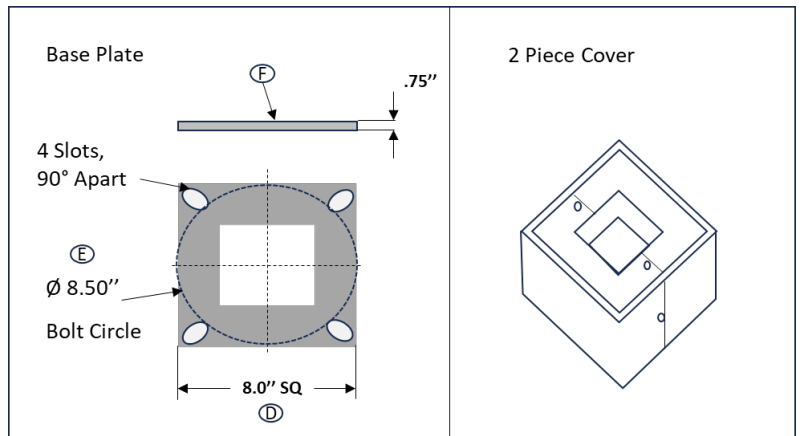
**Warranty:** 5 Years.

**Foundation design:** Foundation should be designed by an engineer familiar with local soil and wind conditions as well local code where the pole(s) will be installed.



SPECIFICACION TABLE		
Mounting Height (ft.)	A	15
Gauge	B	11
Diameter (in.)	C	4
Base Width (in.)	D	8
Bolt Circle (in.)	E	8.5
Base Thickness (in.)	F	0.75
Anchor Bolt Size (in.)	G	0.75 x 17 x 3
Bolt Circle Range (in.)	-	8" – 9"
Pole Weight (lbs.)	-	108

MAXIMUM EPA (SQUARE FEET)					
mph	mph	mph	Mph	mph	mph
90	100	110	120	130	140
15.5	11.9	10.9	8.6	6.8	5.4



# 16 Foot Square Straight Light Pole, 4 Inch Wide, 11 Gauge

## PRODUCT DESCRIPTION

**Pole Top Options:** A removable pole cap is provided. If tenon option is selected, a steel tenon will be provided.

**Pole Shaft:** Pole shaft is constructed from ATSM-A500 Grade B cold rolled steel and yield strength of 50,000 PSI. All poles are Polyester powder coated finish Bronze. Standard colors are Bronze, White, Grey and Black. Specialty colors available upon request.

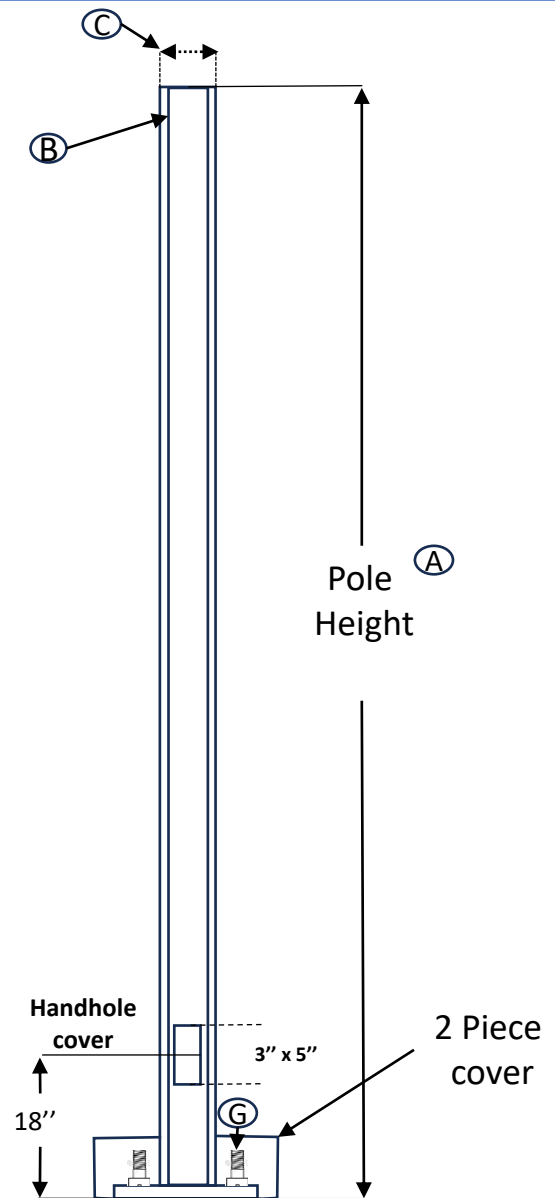
**Handhole:** 3' x 5" size handhole is located at 18 inches from the base made from 18 gauge mild steel and Powder Coated. Handhole cover with screw is provided. A ground lug with set screw is located near the handhole opening for proper grounding of the pole.

**Bolt Circle:** 8 1/2" (Bolt Circle Range 8" – 9")

**Base Cover:** Two piece 18 gauge steel, Polyester Powder Coated

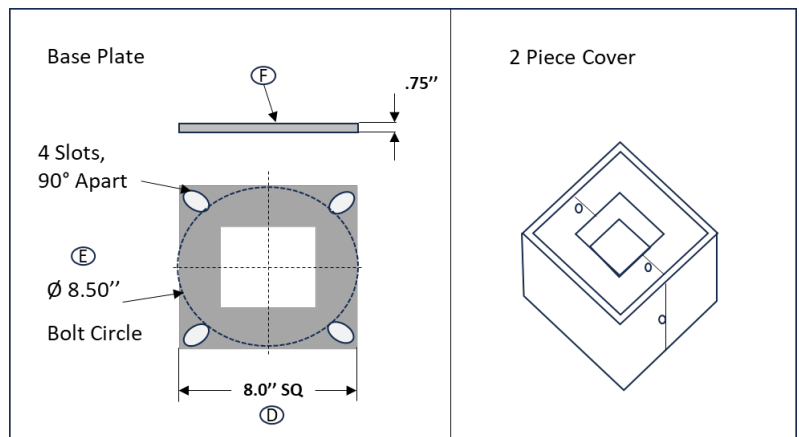
**Warranty:** 5 Years.

**Foundation design:** Foundation should be designed by an engineer familiar with local soil and wind conditions as well local code where the pole(s) will be installed.



SPECIFICACION TABLE		
Mounting Height (ft.)	A	16
Gauge	B	11
Diameter (in.)	C	4
Base Width (in.)	D	8
Bolt Circle (in.)	E	8.5
Base Thickness (in.)	F	0.75
Anchor Bolt Size (in.)	G	0.75 x 17 x 3
Bolt Circle Range (in.)	-	8" – 9"
Pole Weight (lbs.)	-	115

MAXIMUM EPA (SQUARE FEET)					
mph	mph	mph	mph	mph	mph
90	100	110	120	130	140
14.0	10.7	9.7	7.6	5.9	4.6



# 17 Foot Square Straight Light Pole, 4 Inch Wide, 11 Gauge



## PRODUCT DESCRIPTION

**Pole Top Options:** A removable pole cap is provided. If tenon option is selected, a steel tenon will be provided.

**Pole Shaft:** Pole shaft is constructed from ATSM-A500 Grade B cold rolled steel and yield strength of 50,000 PSI. All poles are Polyester powder coated finish Bronze. Standard colors are Bronze, White, Grey and Black. Specialty colors available upon request.

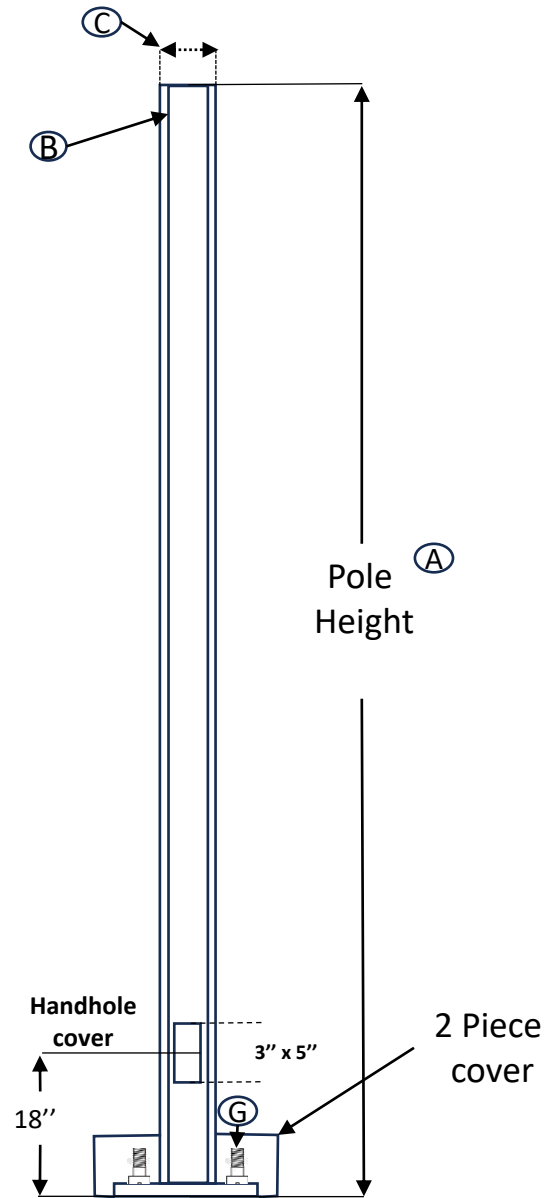
**Handhole:** 3' x 5" size handhole is located at 18 inches from the base made from 18 gauge mild steel and Powder Coated. Handhole cover with screw is provided. A ground lug with set screw is located near the handhole opening for proper grounding of the pole.

**Bolt Circle:** 8 1/2" (Bolt Circle Range 8" – 9")

**Base Cover:** Two piece 18 gauge steel, Polyester Powder Coated

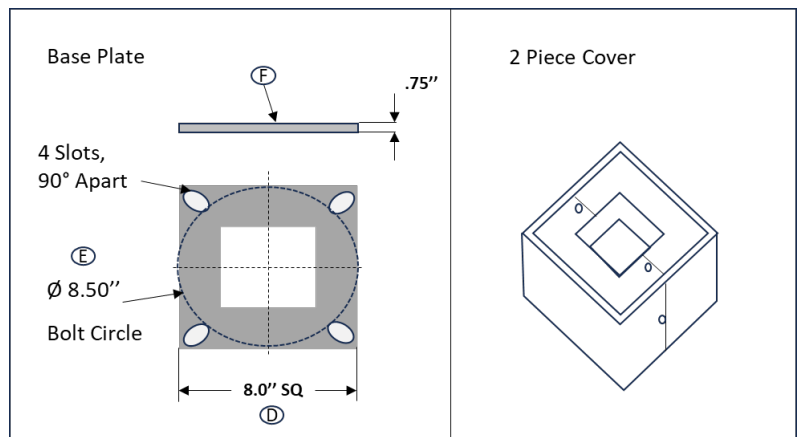
**Warranty:** 5 Years.

**Foundation design:** Foundation should be designed by an engineer familiar with local soil and wind conditions as well local code where the pole(s) will be installed.



SPECIFICACION TABLE		
Mounting Height (ft.)	A	17
Gauge	B	11
Diameter (in.)	C	4
Base Width (in.)	D	8
Bolt Circle (in.)	E	8.5
Base Thickness (in.)	F	0.75
Anchor Bolt Size (in.)	G	0.75 x 17 x 3
Bolt Circle Range (in.)	-	8" – 9"
Pole Weight (lbs.)	-	125

MAXIMUM EPA (SQUARE FEET)					
mph	mph	mph	mph	mph	mph
90	100	110	120	130	140
11.3	8.4	7.6	5.7	4.3	3.2



# 20 Foot Square Straight Light Pole, 4 Inch Wide, 11 Gauge

## PRODUCT DESCRIPTION

**Pole Top Options:** A removable pole cap is provided. If tenon option is selected, a steel tenon will be provided.

**Pole Shaft:** Pole shaft is constructed from ATSM-A500 Grade B cold rolled steel and yield strength of 50,000 PSI. All poles are Polyester powder coated finish Bronze. Standard colors are Bronze, White, Grey and Black. Specialty colors available upon request.

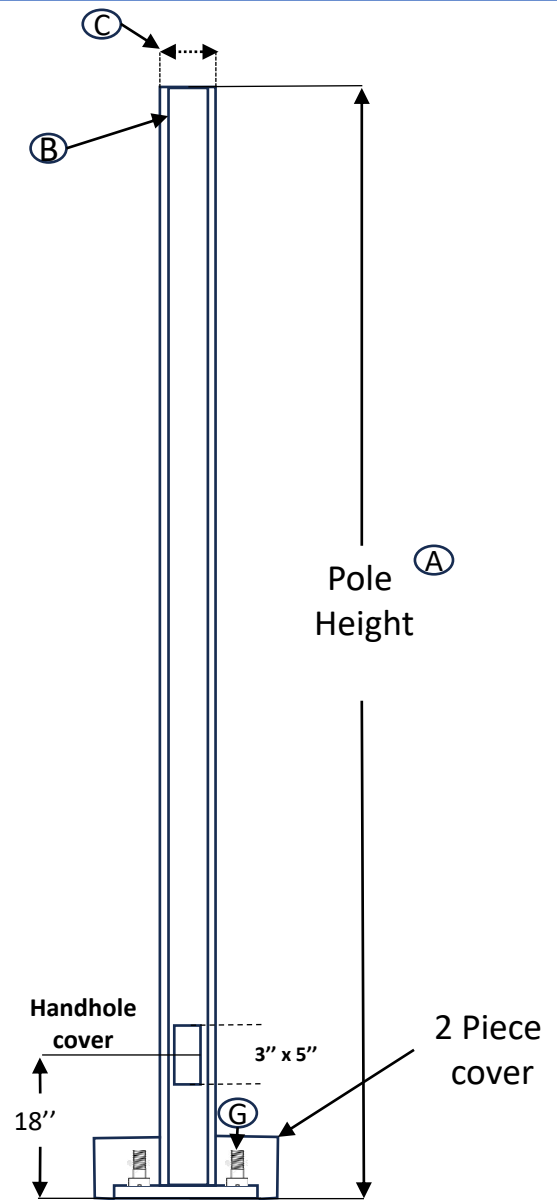
**Handhole:** 3' x 5" size handhole is located at 18 inches from the base made from 18 gauge mild steel and Powder Coated. Handhole cover with screw is provided. A ground lug with set screw is located near the handhole opening for proper grounding of the pole.

**Bolt Circle:** 8 1/2" (Bolt Circle Range 8" – 11")

**Base Cover:** Two piece 18 gauge steel, Polyester Powder Coated

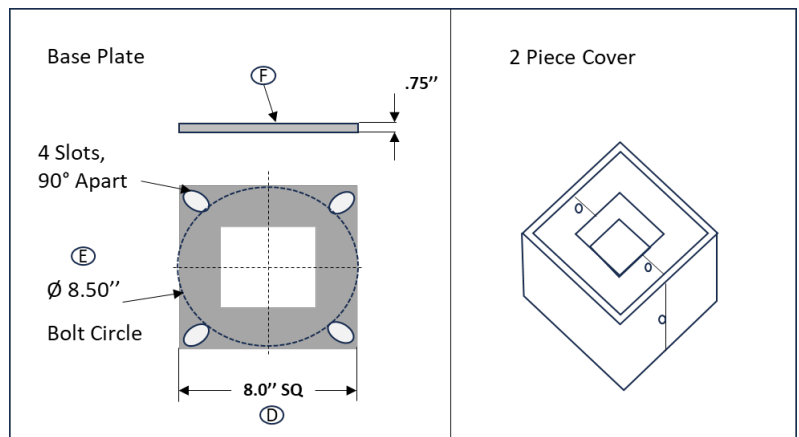
**Warranty:** 5 Years.

**Foundation design:** Foundation should be designed by an engineer familiar with local soil and wind conditions as well local code where the pole(s) will be installed.



SPECIFICACION TABLE		
Mounting Height (ft.)	A	20
Gauge	B	11
Diameter (in.)	C	4
Base Width (in.)	D	8
Bolt Circle (in.)	E	8.5
Base Thickness (in.)	F	0.75
Anchor Bolt Size (in.)	G	0.75 x 17 x 3
Bolt Circle Range (in.)	-	8" – 9"
Pole Weight (lbs.)	-	140

MAXIMUM EPA WITH 1.3 GUST FACTOR (SQUARE FEET)					
mph	mph	mph	mph	mph	Mph
90	100	110	120	130	140
9.1	6.5	5.8	4.2	2.9	1.9



# 20 Foot Square Straight Light Pole, 5 Inch Wide, 7 Gauge



## PRODUCT DESCRIPTION

**Pole Top Options:** A removable pole cap is provided. If tenon option is selected, a steel tenon will be provided.

**Pole Shaft:** Pole shaft is constructed from ATSM-A500 Grade B cold rolled steel and yield strength of 50,000 PSI. All poles are Polyester powder coated finish Bronze. Standard colors are Bronze, White, Grey and Black. Specialty colors available upon request.

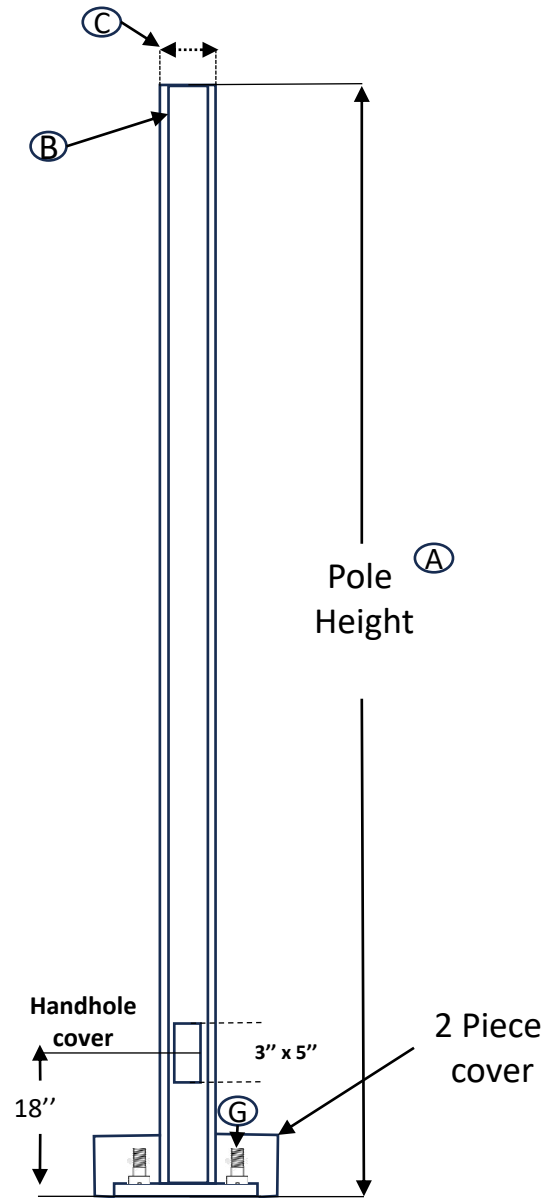
**Handhole:** 3' x 5" size handhole is located at 18 inches from the base made from 18 gauge mild steel and Powder Coated . Handhole cover with screw is provided. A ground lug with set screw is located near the handhole opening for proper grounding of the pole.

**Bolt Circle:** 11" (Bolt Circle Range 10" – 12")

**Base Cover:** Two piece 18 gauge steel, Polyester Powder Coated

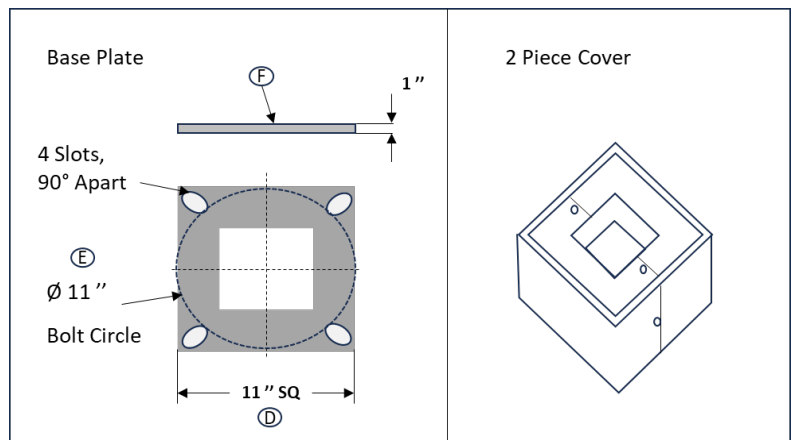
**Warranty:** 5 Years.

**Foundation design:** Foundation should be designed by an engineer familiar with local soil and wind conditions as well local code where the pole(s) will be installed.



SPECIFICACION TABLE		
Mounting Height (ft.)	A	20
Gauge	B	7
Diameter (in.)	C	5
Base Width (in.)	D	11
Bolt Circle (in.)	E	11
Base Thickness (in.)	F	1
Anchor Bolt Size (in.)	G	1 x 36 x 4
Bolt Circle Range (in.)	-	10" – 12"
Pole Weight (lbs.)	-	140

MAXIMUM EPA WITH 1.3 GUST FACTOR (SQUARE FEET)					
mph	mph	mph	Mph	mph	Mph
90	100	110	120	130	140
26.3	20.3	18.6	14.8	11.9	9.6



# 25 Foot Square Straight Light Pole, 4 Inch Wide, 11 Gauge



## PRODUCT DESCRIPTION

**Pole Top Options:** A removable pole cap is provided. If tenon option is selected, a steel tenon will be provided.

**Pole Shaft:** Pole shaft is constructed from ATSM-A500 Grade B cold rolled steel and yield strength of 50,000 PSI. All poles are Polyester powder coated finish Bronze. Standard colors are Bronze, White, Grey and Black. Specialty colors available upon request.

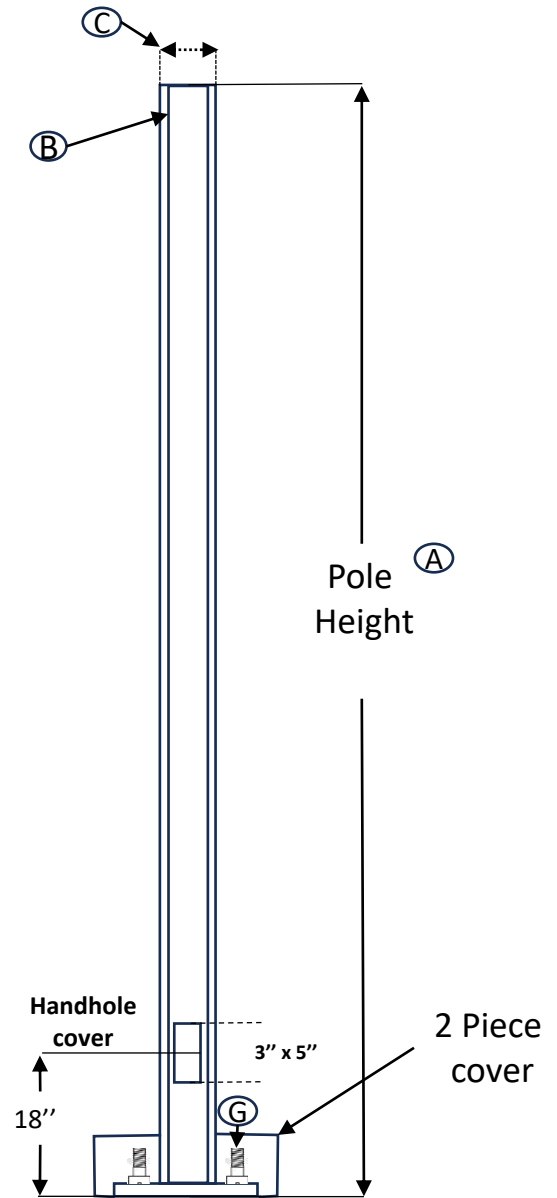
**Handhole:** 3' x 5" size handhole is located at 18 inches from the base made from 18 gauge mild steel and Powder Coated. Handhole cover with screw is provided. A ground lug with set screw is located near the handhole opening for proper grounding of the pole.

**Bolt Circle:** 8 1/2" (Bolt Circle Range 8" – 9")

**Base Cover:** Two piece 18 gauge steel, Polyester Powder Coated

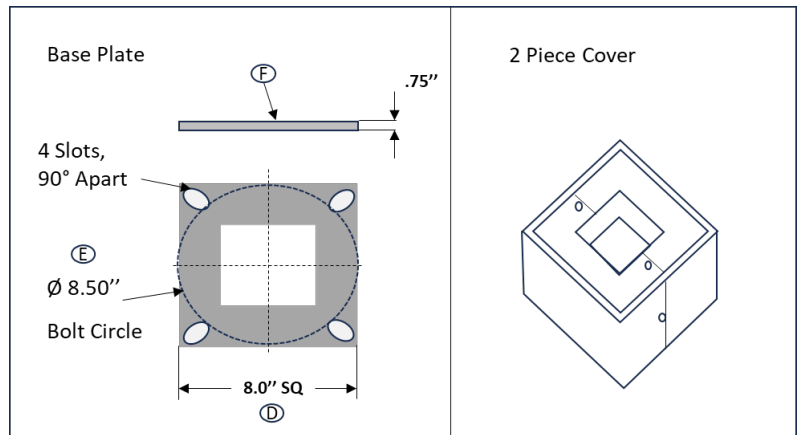
**Warranty:** 5 Years.

**Foundation design:** Foundation should be designed by an engineer familiar with local soil and wind conditions as well local code where the pole(s) will be installed.



SPECIFICACION TABLE		
Mounting Height (ft.)	A	25
Gauge	B	11
Diameter (in.)	C	4
Base Width (in.)	D	8
Bolt Circle (in.)	E	8.5
Base Thickness (in.)	F	0.75
Anchor Bolt Size (in.)	G	0.75 x 17 x 3
Bolt Circle Range (in.)	-	8" – 9"
Pole Weight (lbs.)	-	170

MAXIMUM EPA WITH 1.3 GUST FACTOR (SQUARE FEET)					
mph	mph	mph	Mph	mph	Mph
90	100	110	120	130	140
4.7	2.8	2.2	2.0		



# 25 Foot Square Straight Light Pole, 5 Inch Wide, 7 Gauge



## PRODUCT DESCRIPTION

**Pole Top Options:** A removable pole cap is provided. If tenon option is selected, a steel tenon will be provided.

**Pole Shaft:** Pole shaft is constructed from ATSM-A500 Grade B cold rolled steel and yield strength of 50,000 PSI. All poles are Polyester powder coated finish Bronze. Standard colors are Bronze, White, Grey and Black. Specialty colors available upon request.

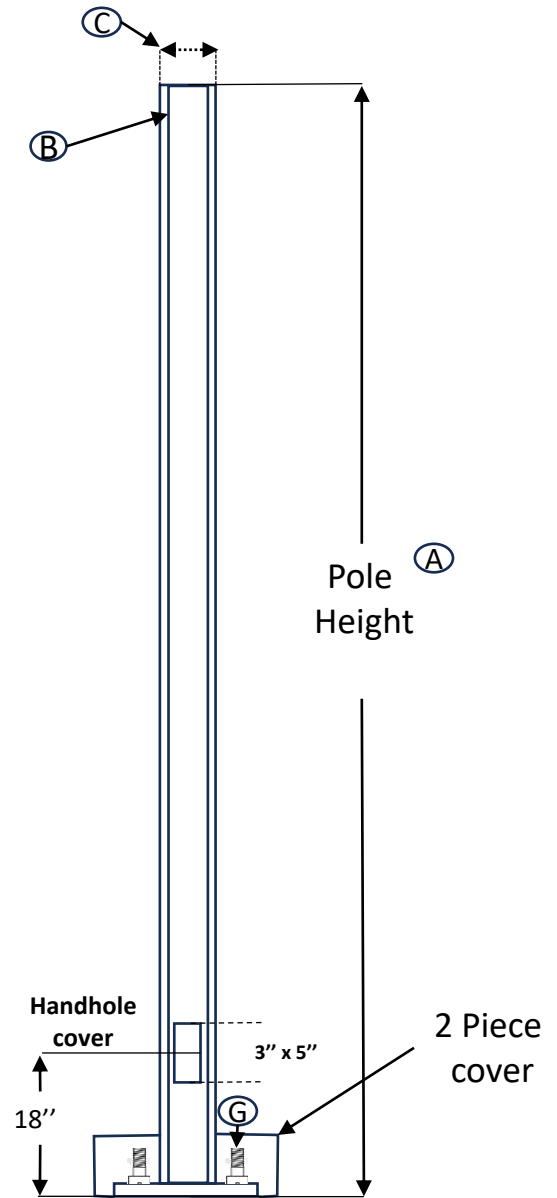
**Handhole:** 3' x 5" size handhole is located at 18 inches from the base made from 18 gauge mild steel and Powder Coated . Handhole cover with screw is provided. A ground lug with set screw is located near the handhole opening for proper grounding of the pole.

**Bolt Circle:** 11 '' (Bolt Circle Range 10'' – 12'')

**Base Cover:** Two piece 18 gauge steel, Polyester Powder Coated

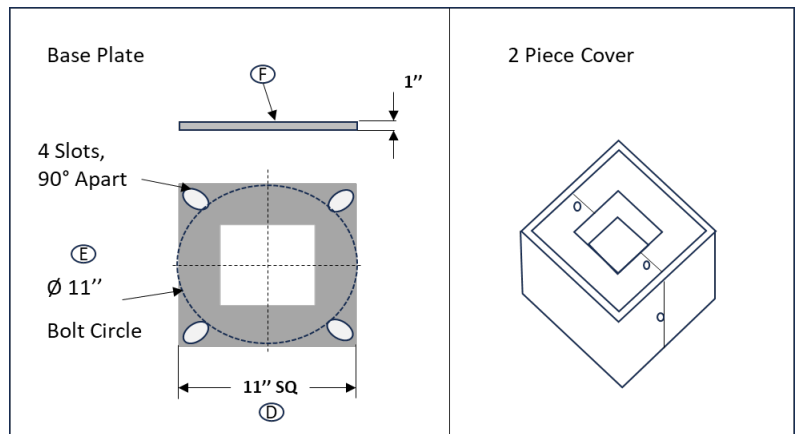
**Warranty:** 5 Years.

**Foundation design:** Foundation should be designed by an engineer familiar with local soil and wind conditions as well local code where the pole(s) will be installed.



SPECIFICACION TABLE		
Mounting Height (ft.)	A	25
Gauge	B	7
Diameter (in.)	C	5
Base Width (in.)	D	11
Bolt Circle (in.)	E	11
Base Thickness (in.)	F	1
Anchor Bolt Size (in.)	G	1 x 36 x 4
Bolt Circle Range (in.)	-	10'' – 12''
Pole Weight (lbs.)	-	330

MAXIMUM EPA WITH 1.3 GUST FACTOR (SQUARE FEET)					
mph	mph	mph	Mph	mph	Mph
90	100	110	120	130	140
17.7	13.2	11.9	9.0	6.7	4.5





# 25 Foot Square Straight Light Pole, 5 Inch Wide, 11 Gauge



## PRODUCT DESCRIPTION

**Pole Top Options:** A removable pole cap is provided. If tenon option is selected, a steel tenon will be provided.

**Pole Shaft:** Pole shaft is constructed from ATSM-A500 Grade B cold rolled steel and yield strength of 50,000 PSI. All poles are Polyester powder coated finish Bronze. Standard colors are Bronze, White, Grey and Black. Specialty colors available upon request.

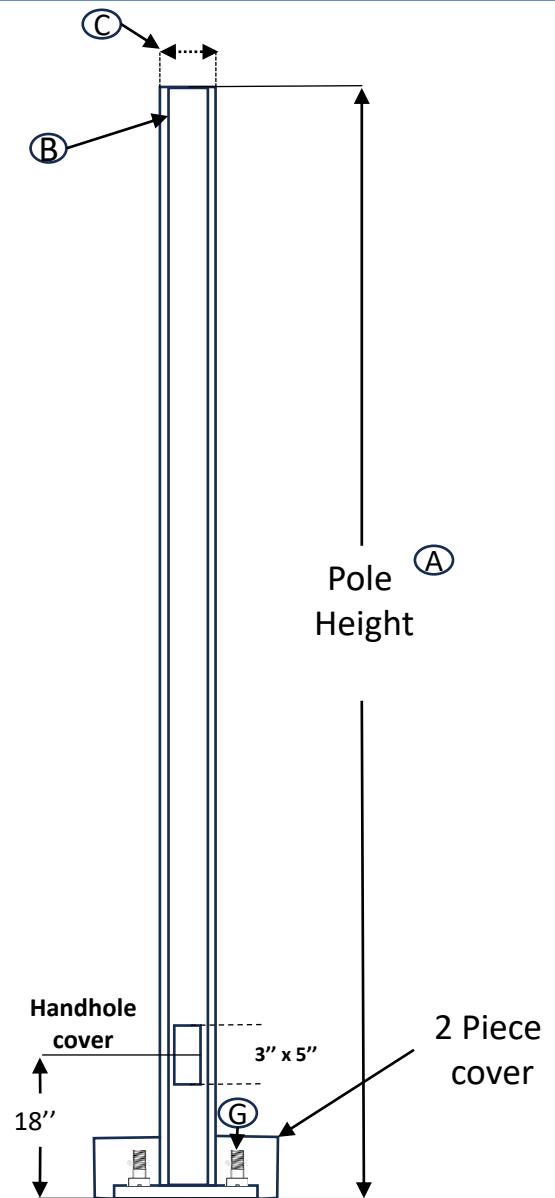
**Handhole:** 3' x 5" size handhole is located at 18 inches from the base made from 18 gauge mild steel and Powder Coated. Handhole cover with screw is provided. A ground lug with set screw is located near the handhole opening for proper grounding of the pole.

**Bolt Circle:** 11" (Bolt Circle Range 10" – 12")

**Base Cover:** Two piece 18 gauge steel, Polyester Powder Coated

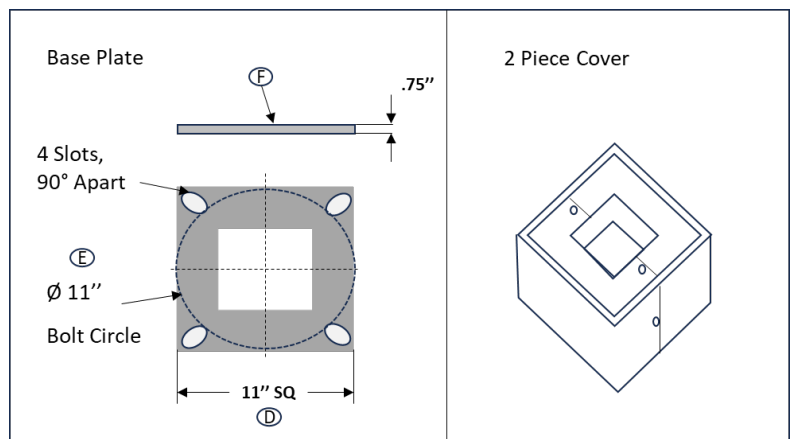
**Warranty:** 5 Years.

**Foundation design:** Foundation should be designed by an engineer familiar with local soil and wind conditions as well local code where the pole(s) will be installed.



SPECIFICACION TABLE		
Mounting Height (ft.)	A	25
Gauge	B	11
Diameter (in.)	C	5
Base Width (in.)	D	11
Bolt Circle (in.)	E	11
Base Thickness (in.)	F	0.75
Anchor Bolt Size (in.)	G	0.75 x 30 x 3
Bolt Circle Range (in.)	-	10' – 12''
Pole Weight (lbs.)	-	225

MAXIMUM EPA WITH 1.3 GUST FACTOR (SQUARE FEET)					
mph	mph	mph	Mph	mph	Mph
90	100	110	120	130	140
8.0	5.1	3.4	2.4	1.0	



# 30 Foot Square Straight Light Pole, 4 Inch Wide, 7 Gauge



## PRODUCT DESCRIPTION

**Pole Top Options:** A removable pole cap is provided. If tenon option is selected, a steel tenon will be provided.

**Pole Shaft:** Pole shaft is constructed from ATSM-A500 Grade B cold rolled steel and yield strength of 50,000 PSI. All poles are Polyester powder coated finish Bronze. Standard colors are Bronze, White, Grey and Black. Specialty colors available upon request.

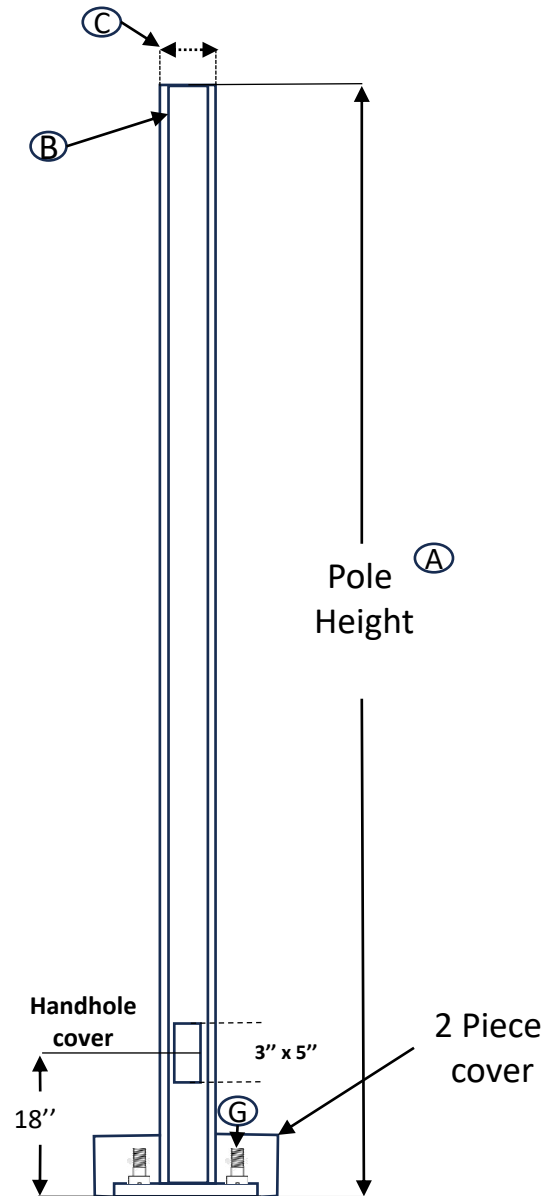
**Handhole:** 3' x 5" size handhole is located at 18 inches from the base made from 18 gauge mild steel and Powder Coated. Handhole cover with screw is provided. A ground lug with set screw is located near the handhole opening for proper grounding of the pole.

**Bolt Circle:** 8 1/2" (Bolt Circle Range 8" – 9")

**Base Cover:** Two piece 18 gauge steel, Polyester Powder Coated

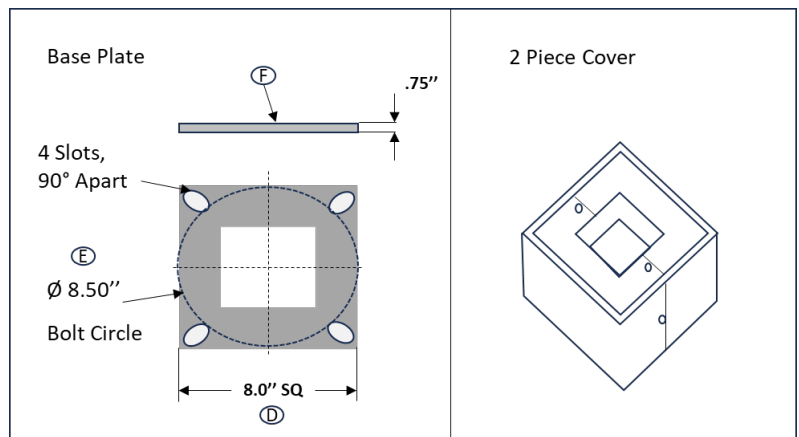
**Warranty:** 5 Years.

**Foundation design:** Foundation should be designed by an engineer familiar with local soil and wind conditions as well local code where the pole(s) will be installed.



SPECIFICACION TABLE		
Mounting Height (ft.)	A	30
Gauge	B	7
Diameter (in.)	C	4
Base Width (in.)	D	8
Bolt Circle (in.)	E	8.5
Base Thickness (in.)	F	0.75
Anchor Bolt Size (in.)	G	0.75 x 30 x 3
Bolt Circle Range (in.)	-	8" – 9"
Pole Weight (lbs.)	-	295

MAXIMUM EPA WITH 1.3 GUST FACTOR (SQUARE FEET)					
mph	mph	mph	Mph	mph	Mph
90	100	110	120	130	140
5.6	3.5	2.9	1.6		



# 30 Foot Square Straight Light Pole, 5 Inch Wide, 7 Gauge

## PRODUCT DESCRIPTION

**Pole Top Options:** A removable pole cap is provided. If tenon option is selected, a steel tenon will be provided.

**Pole Shaft:** Pole shaft is constructed from ATSM-A500 Grade B cold rolled steel and yield strength of 50,000 PSI. All poles are Polyester powder coated finish Bronze. Standard colors are Bronze, White, Grey and Black. Specialty colors available upon request.

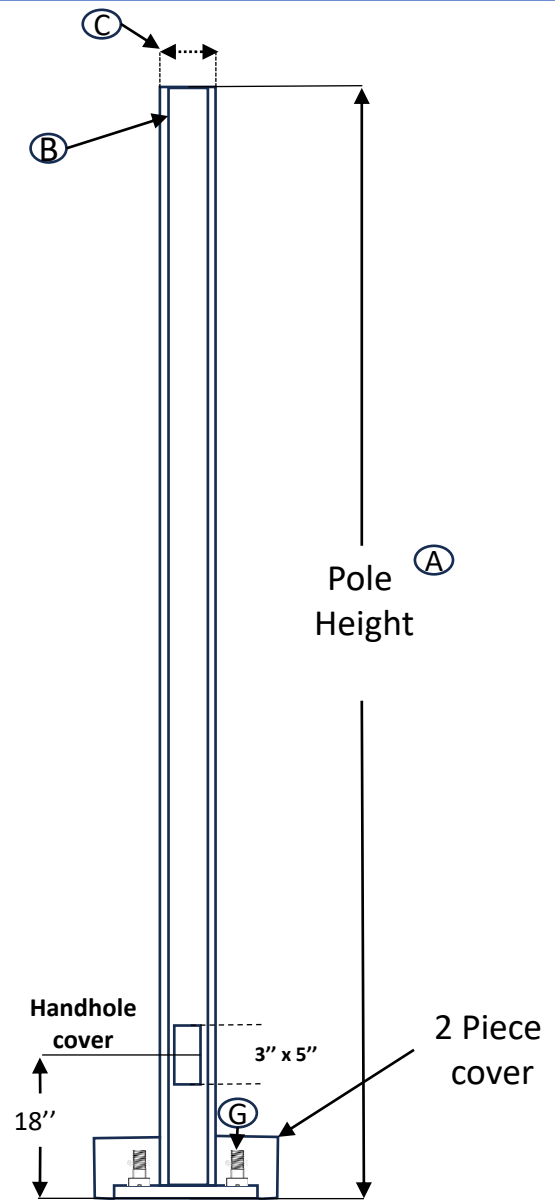
**Handhole:** 3' x 5" size handhole is located at 18 inches from the base made from 18 gauge mild steel and Powder Coated . Handhole cover with screw is provided. A ground lug with set screw is located near the handhole opening for proper grounding of the pole.

**Bolt Circle:** 11" (Bolt Circle Range 10" – 12")

**Base Cover:** Two piece 18 gauge steel, Polyester Powder Coated

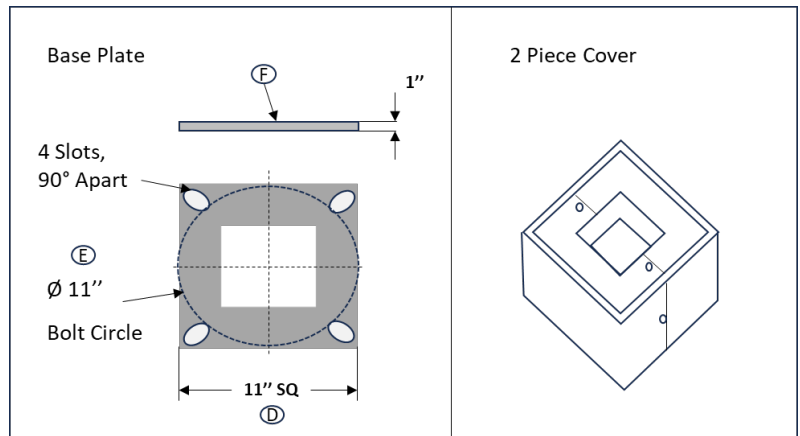
**Warranty:** 5 Years.

**Foundation design:** Foundation should be designed by an engineer familiar with local soil and wind conditions as well local code where the pole(s) will be installed.



SPECIFICACION TABLE		
Mounting Height (ft.)	A	30
Gauge	B	7
Diameter (in.)	C	5
Base Width (in.)	D	11
Bolt Circle (in.)	E	11
Base Thickness (in.)	F	1
Anchor Bolt Size (in.)	G	1 x 36 x 4
Bolt Circle Range (in.)	-	10" – 12"
Pole Weight (lbs.)	-	390

MAXIMUM EPA WITH 1.3 GUST FACTOR (SQUARE FEET)					
mph	mph	mph	Mph	mph	mph
90	100	110	120	130	140
11.7	8.0	7.0	4.7	2.9	1.5



# 35 Foot Square Straight Light Pole, 5 Inch Wide, 7 Gauge



## PRODUCT DESCRIPTION

**Pole Top Options:** A removable pole cap is provided. If tenon option is selected, a steel tenon will be provided.

**Pole Shaft:** Pole shaft is constructed from ATSM-A500 Grade B cold rolled steel and yield strength of 50,000 PSI. All poles are Polyester powder coated finish Bronze. Standard colors are Bronze, White, Grey and Black. Specialty colors available upon request.

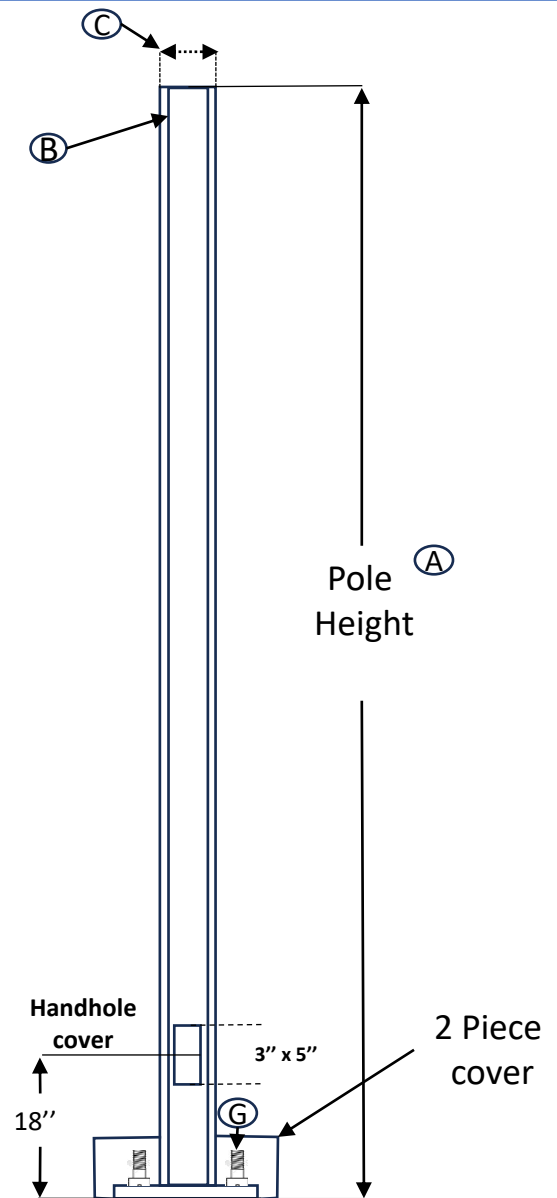
**Handhole:** 3' x 5" size handhole is located at 18 inches from the base made from 18 gauge mild steel and Powder Coated. Handhole cover with screw is provided. A ground lug with set screw is located near the handhole opening for proper grounding of the pole.

**Bolt Circle:** 11 (Bolt Circle Range 10" – 12")

**Base Cover:** Two piece 18 gauge steel, Polyester Powder Coated

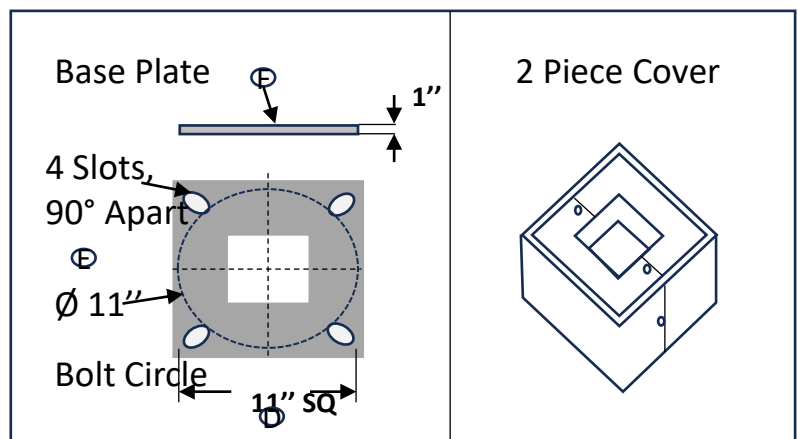
**Warranty:** 5 Years.

**Foundation design:** Foundation should be designed by an engineer familiar with local soil and wind conditions as well local code where the pole(s) will be installed.



SPECIFICACION TABLE		
Mounting Height (ft.)	A	35
Gauge	B	7
Diameter (in.)	C	5
Base Width (in.)	D	11
Bolt Circle (in.)	E	11
Base Thickness (in.)	F	1
Anchor Bolt Size (in.)	G	1 x 36 x 4
Bolt Circle Range (in.)	-	10" – 12"
Pole Weight (lbs.)	-	450

MAXIMUM EPA WITH 1.3 GUST FACTOR (SQUARE FEET)					
mph	mph	mph	Mph	mph	mph
90	100	110	120	130	140
6.9	4.0	3.1	1.2		



# 30 Foot Square Straight Light Pole, 5 Inch Wide, 11 Gauge



## PRODUCT DESCRIPTION

**Pole Top Options:** A removable pole cap is provided. If tenon option is selected, a steel tenon will be provided.

**Pole Shaft:** Pole shaft is constructed from ATSM-A500 Grade B cold rolled steel and yield strength of 50,000 PSI. All poles are Polyester powder coated finish Bronze. Standard colors are Bronze, White, Grey and Black. Specialty colors available upon request.

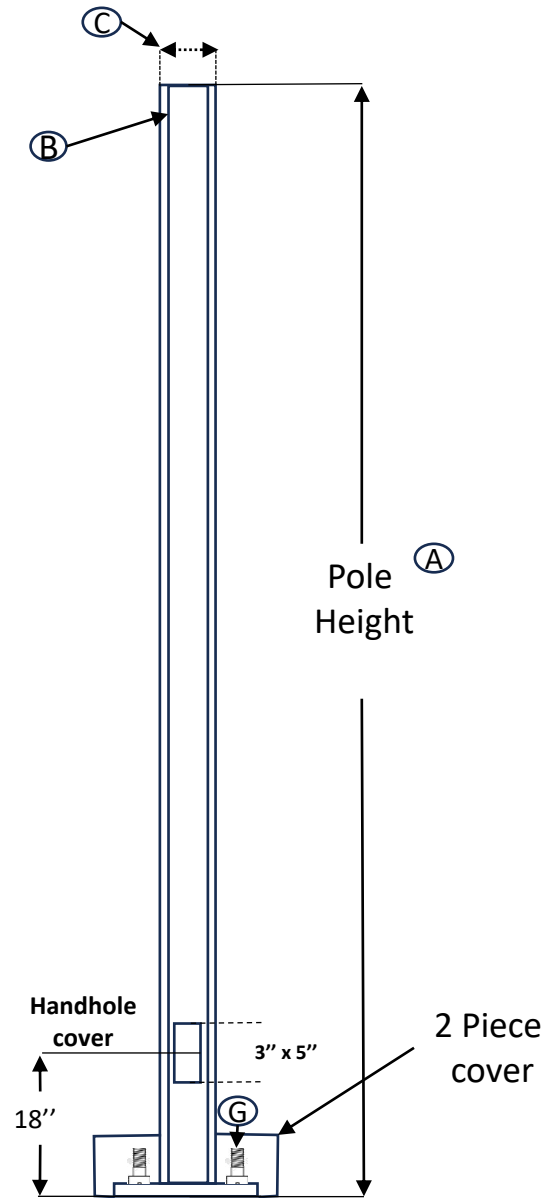
**Handhole:** 3' x 5" size handhole is located at 18 inches from the base made from 18 gauge mild steel and Powder Coated. Handhole cover with screw is provided. A ground lug with set screw is located near the handhole opening for proper grounding of the pole.

**Bolt Circle:** 11" (Bolt Circle Range 10" – 12")

**Base Cover:** Two piece 18 gauge steel, Polyester Powder Coated

**Warranty:** 5 Years.

**Foundation design:** Foundation should be designed by an engineer familiar with local soil and wind conditions as well local code where the pole(s) will be installed.



SPECIFICACION TABLE		
Mounting Height (ft.)	A	30
Gauge	B	11
Diameter (in.)	C	5
Base Width (in.)	D	11
Bolt Circle (in.)	E	11
Base Thickness (in.)	F	0.75
Anchor Bolt Size (in.)	G	0.75 x 30 x 3
Bolt Circle Range (in.)	-	10" – 12"
Pole Weight (lbs.)	-	265

MAXIMUM EPA WITH 1.3 GUST FACTOR (SQUARE FEET)					
mph	mph	mph	Mph	mph	mph
90	100	110	120	130	140
3.4	1.1				

