

# 30 Foot Round Straight Light Pole, 5 Inch Diameter, 11 Gauge



## PRODUCT DESCRIPTION

**Pole Top Options:** A removable pole cap is provided. If tenon option is selected, a steel tenon will be provided.

**Pole Shaft:** Pole shaft is constructed from ATSM-A500 Grade B cold rolled steel and yield strength of 50,000 PSI. All poles are Polyester powder coated finish Bronze. Standard colors are Bronze, White, Grey and Black. Specialty colors available upon request.

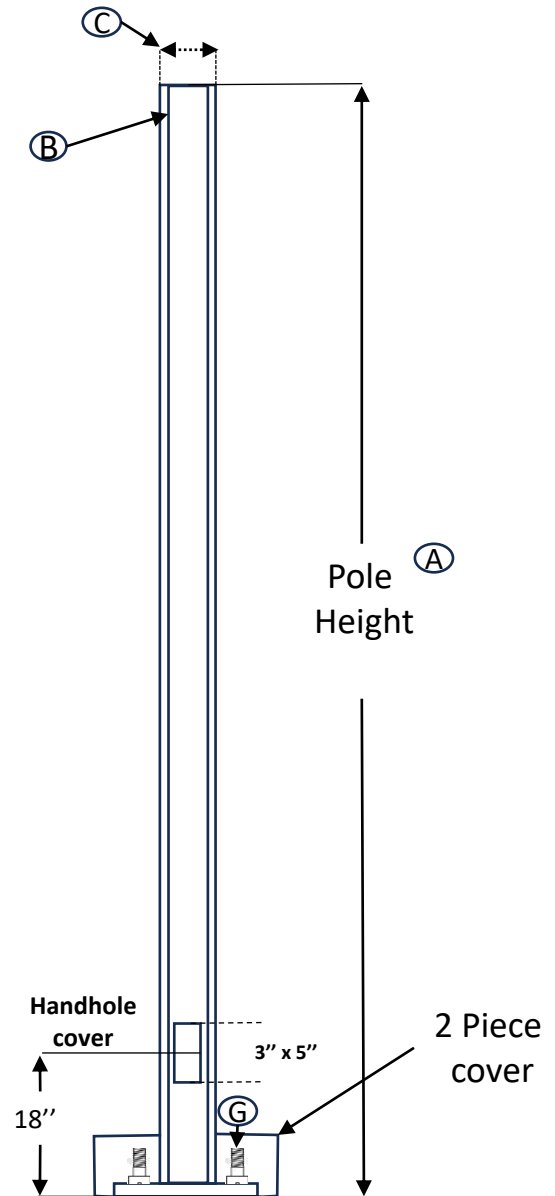
**Handhole:** 3' x 5" size handhole is located at 18 inches from the base made from 18 gauge mild steel and Powder Coated. Handhole cover with screw is provided. A ground lug with set screw is located near the handhole opening for proper grounding of the pole.

**Bolt Circle:** 8 1/2" (Bolt Circle Range 8" – 11")

**Base Cover:** Two piece 18 gauge steel, Polyester Powder Coated

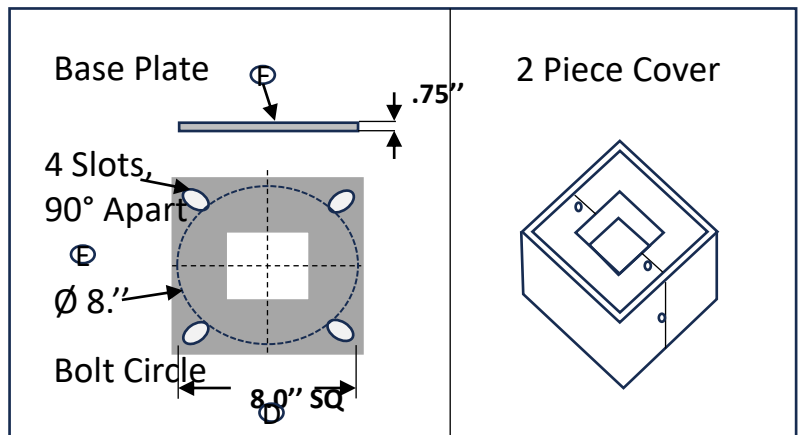
**Warranty:** 5 Years.

**Foundation design:** Foundation should be designed by an engineer familiar with local soil and wind conditions as well local code where the pole(s) will be installed.



SPECIFICACION TABLE		
Mounting Height (ft.)	A	30
Gauge	B	11
Diameter (in.)	C	5
Base Width (in.)	D	8
Bolt Circle (in.)	E	8
Base Thickness (in.)	F	0.75
Anchor Bolt Size (in.)	G	0.75 x 17 x 3
Bolt Circle Range (in.)	-	7.5" – 8.5"
Pole Weight (lbs.)	-	202

MAXIMUM EPA WITH 1.3 GUST FACTOR (SQUARE FEET)					
mph	mph	mph	Mph	mph	mph
90	100	110	120	130	140
3.1	1.3	1.1			



# 30 Foot Round Straight Light Pole, 5 Inch Diameter, 7 Gauge



## PRODUCT DESCRIPTION

**Pole Top Options:** A removable pole cap is provided. If tenon option is selected, a steel tenon will be provided.

**Pole Shaft:** Pole shaft is constructed from ATSM-A500 Grade B cold rolled steel and yield strength of 50,000 PSI. All poles are Polyester powder coated finish Bronze. Standard colors are Bronze, White, Grey and Black. Specialty colors available upon request.

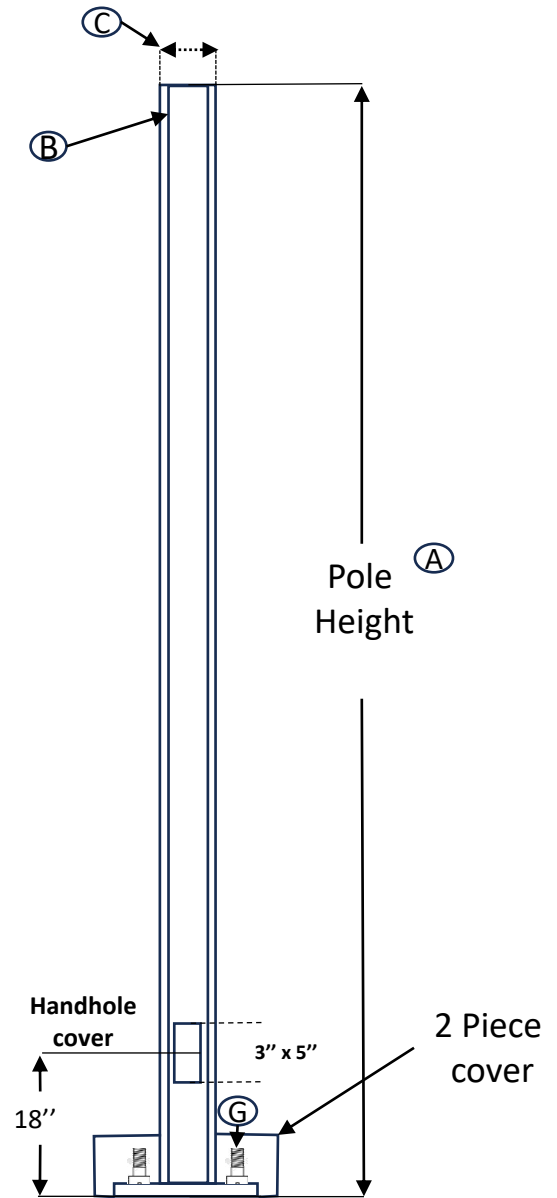
**Handhole:** 3' x 5" size handhole is located at 18 inches from the base made from 18 gauge mild steel and Powder Coated. Handhole cover with screw is provided. A ground lug with set screw is located near the handhole opening for proper grounding of the pole.

**Bolt Circle:** 8 1/2" (Bolt Circle Range 8" – 9")

**Base Cover:** Two piece 18 gauge steel, Polyester Powder Coated

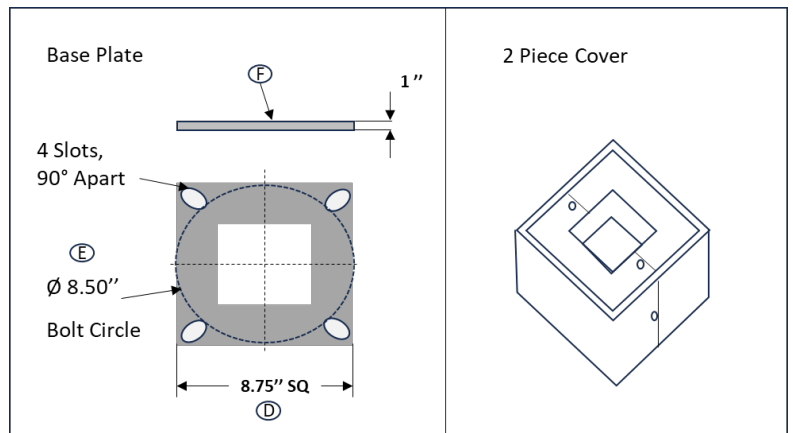
**Warranty:** 5 Years.

**Foundation design:** Foundation should be designed by an engineer familiar with local soil and wind conditions as well local code where the pole(s) will be installed.



SPECIFICACION TABLE		
Mounting Height (ft.)	A	30
Gauge	B	7
Diameter (in.)	C	5
Base Width (in.)	D	8.75
Bolt Circle (in.)	E	8.5
Base Thickness (in.)	F	1
Anchor Bolt Size (in.)	G	1 x 36 x 4
Bolt Circle Range (in.)	-	8" – 9"
Pole Weight (lbs.)	-	301

MAXIMUM EPA WITH 1.3 GUST FACTOR (SQUARE FEET)					
mph	mph	mph	Mph	mph	Mph
90	100	110	120	130	140
7.0	4.5	4.0	3.1	2.4	1.8



# 25 Foot Round Straight Light Pole, 5 Inch Diameter, 11 Gauge

## PRODUCT DESCRIPTION

**Pole Top Options:** A removable pole cap is provided. If tenon option is selected, a steel tenon will be provided.

**Pole Shaft:** Pole shaft is constructed from ATSM-A500 Grade B cold rolled steel and yield strength of 50,000 PSI. All poles are Polyester powder coated finish Bronze. Standard colors are Bronze, White, Grey and Black. Specialty colors available upon request.

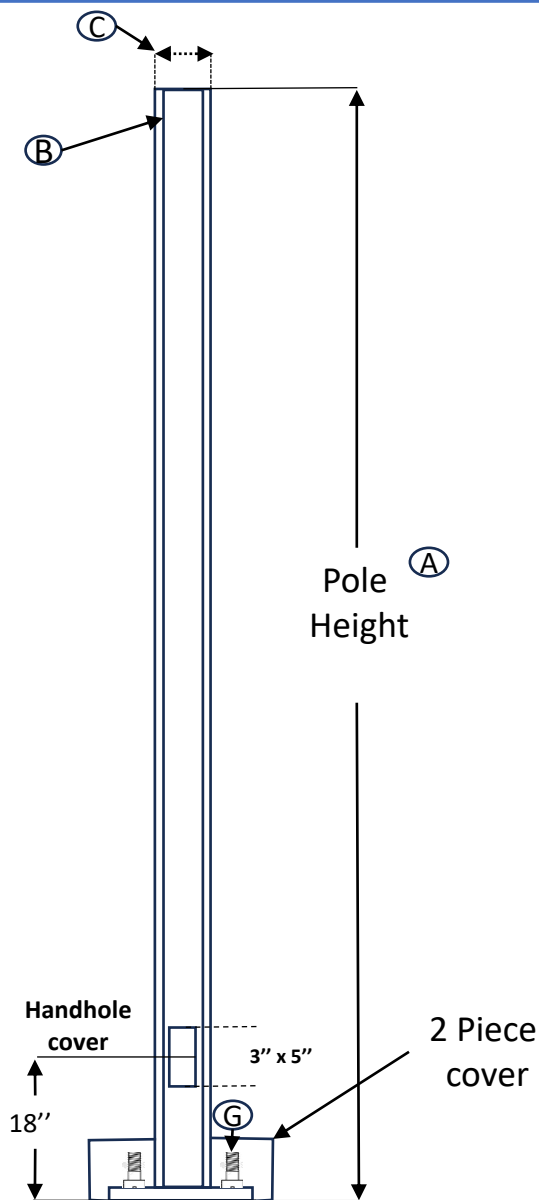
**Handhole:** 3' x 5" size handhole is located at 18 inches from the base made from 18 gauge mild steel and Powder Coated. Handhole cover with screw is provided. A ground lug with set screw is located near the handhole opening for proper grounding of the pole.

**Bolt Circle:** 8" (Bolt Circle Range 7.5" – 8.5")

**Base Cover:** Two piece 18 gauge steel, Polyester Powder Coated

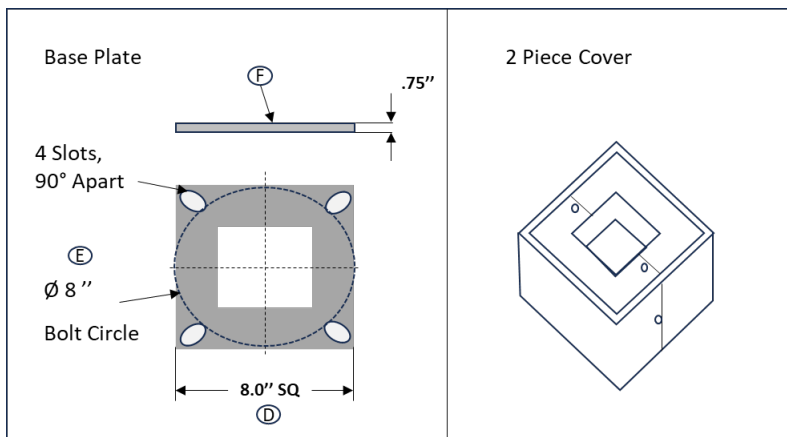
**Warranty:** 5 Years.

**Foundation design:** Foundation should be designed by an engineer familiar with local soil and wind conditions as well local code where the pole(s) will be installed.



SPECIFICACION TABLE		
Mounting Height (ft.)	A	25
Gauge	B	11
Diameter (in.)	C	5
Base Width (in.)	D	8
Bolt Circle (in.)	E	8
Base Thickness (in.)	F	0.75
Anchor Bolt Size (in.)	G	0.75 x 17 x 3
Bolt Circle Range (in.)	-	7.5" – 8.5"
Pole Weight (lbs.)	-	171

MAXIMUM EPA WITH 1.3 GUST FACTOR (SQUARE FEET)					
mph	mph	mph	Mph	mph	Mph
90	100	110	120	130	140
6.2	4.1	3.7	2.8	2.2	1.7



# 25 Foot Round Straight Light Pole, 5 Inch Diameter, 7 Gauge



## PRODUCT DESCRIPTION

**Pole Top Options:** A removable pole cap is provided. If tenon option is selected, a steel tenon will be provided.

**Pole Shaft:** Pole shaft is constructed from ATSM-A500 Grade B cold rolled steel and yield strength of 50,000 PSI. All poles are Polyester powder coated finish Bronze. Standard colors are Bronze, White, Grey and Black. Specialty colors available upon request.

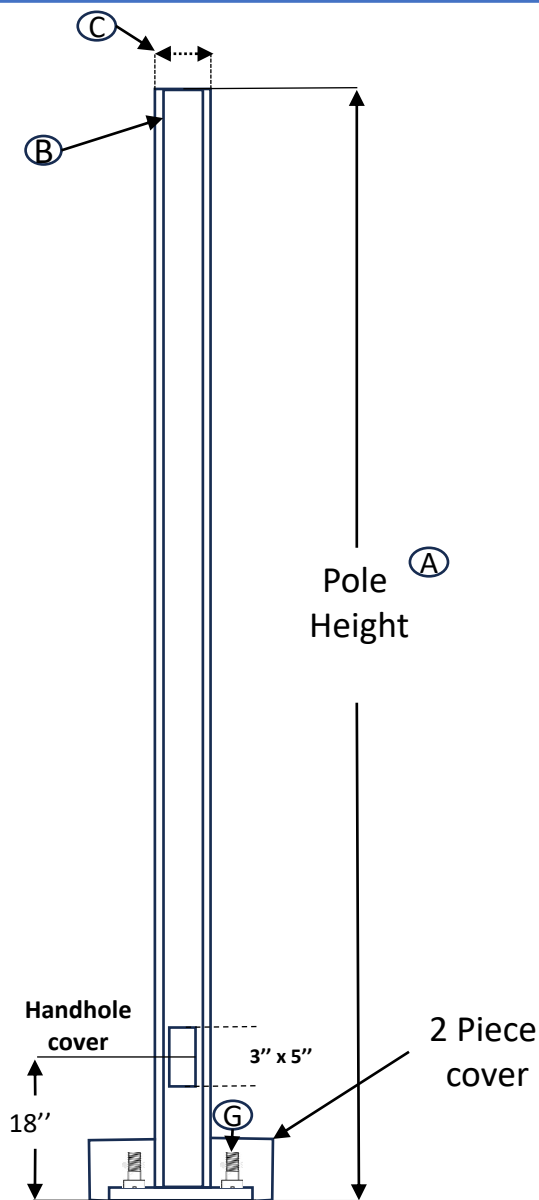
**Handhole:** 3' x 5" size handhole is located at 18 inches from the base made from 18 gauge mild steel and Powder Coated. Handhole cover with screw is provided. A ground lug with set screw is located near the handhole opening for proper grounding of the pole.

**Bolt Circle:** 8 1/2" (Bolt Circle Range 8" – 9")

**Base Cover:** Two piece 18 gauge steel, Polyester Powder Coated

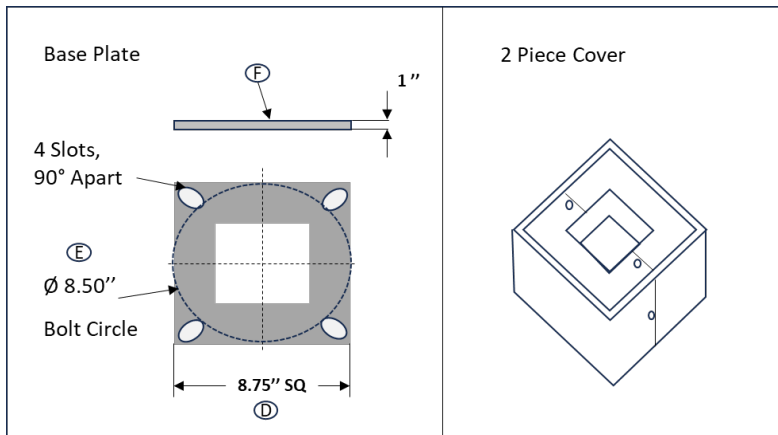
**Warranty:** 5 Years.

**Foundation design:** Foundation should be designed by an engineer familiar with local soil and wind conditions as well local code where the pole(s) will be installed.



SPECIFICACION TABLE		
Mounting Height (ft.)	A	25
Gauge	B	7
Diameter (in.)	C	5
Base Width (in.)	D	8.75
Bolt Circle (in.)	E	8.5
Base Thickness (in.)	F	1
Anchor Bolt Size (in.)	G	1 x 36 x 4
Bolt Circle Range (in.)	-	8" – 9"
Pole Weight (lbs.)	-	254

MAXIMUM EPA WITH 1.3 GUST FACTOR (SQUARE FEET)					
mph	mph	mph	Mph	mph	Mph
90	100	110	120	130	140
11.1	8.0	7.4	5.9	4.8	4.0



# 25 Foot Round Straight Light Pole, 4 Inch Diameter, 11 Gauge



## PRODUCT DESCRIPTION

**Pole Top Options:** A removable pole cap is provided. If tenon option is selected, a steel tenon will be provided.

**Pole Shaft:** Pole shaft is constructed from ATSM-A500 Grade B cold rolled steel and yield strength of 50,000 PSI. All poles are Polyester powder coated finish Bronze. Standard colors are Bronze, White, Grey and Black. Specialty colors available upon request.

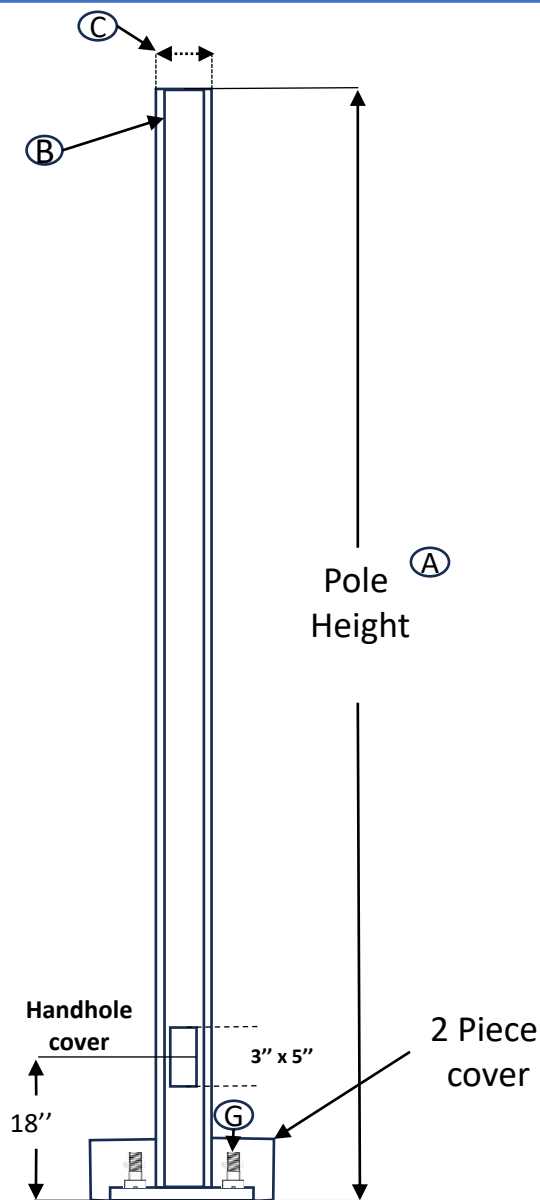
**Handhole:** 3' x 5" size handhole is located at 18 inches from the base made from 18 gauge mild steel and Powder Coated. Handhole cover with screw is provided. A ground lug with set screw is located near the handhole opening for proper grounding of the pole.

**Bolt Circle:** 8" (Bolt Circle Range 7.5" – 8.5")

**Base Cover:** Two piece 18 gauge steel, Polyester Powder Coated

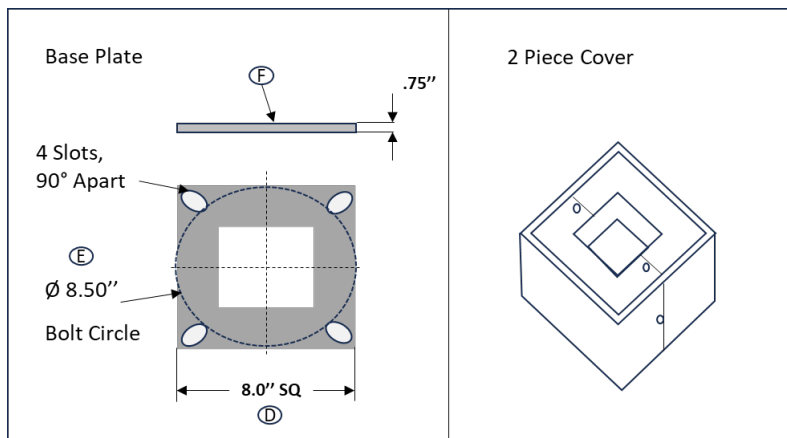
**Warranty:** 5 Years.

**Foundation design:** Foundation should be designed by an engineer familiar with local soil and wind conditions as well local code where the pole(s) will be installed.



SPECIFICACION TABLE		
Mounting Height (ft.)	A	25
Gauge	B	11
Diameter (in.)	C	4
Base Width (in.)	D	8
Bolt Circle (in.)	E	8
Base Thickness (in.)	F	0.75
Anchor Bolt Size (in.)	G	0.75 x 17 x 3
Bolt Circle Range (in.)	-	7.5" – 8.5"
Pole Weight (lbs.)	-	139

MAXIMUM EPA WITH 1.3 GUST FACTOR (SQUARE FEET)					
mph	mph	mph	Mph	mph	Mph
90	100	110	120	130	140
2.8	1.5	1.1			



# 20 Foot Round Straight Light Pole, 5 Inch Diameter, 11 Gauge



## PRODUCT DESCRIPTION

**Pole Top Options:** A removable pole cap is provided. If tenon option is selected, a steel tenon will be provided.

**Pole Shaft:** Pole shaft is constructed from ATSM-A500 Grade B cold rolled steel and yield strength of 50,000 PSI. All poles are Polyester powder coated finish Bronze. Standard colors are Bronze, White, Grey and Black. Specialty colors available upon request.

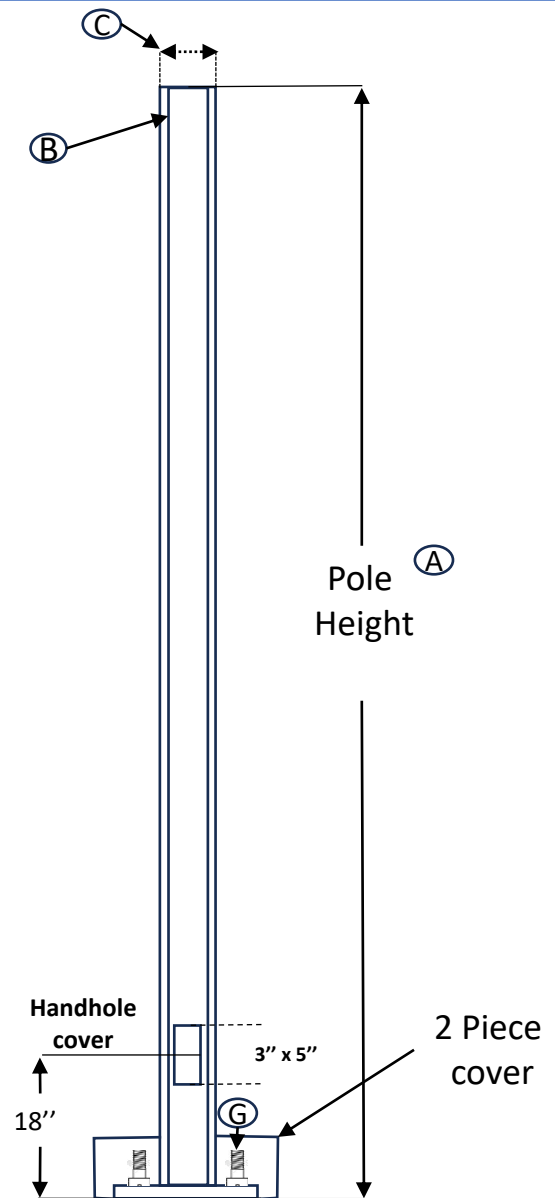
**Handhole:** 3' x 5" size handhole is located at 18 inches from the base made from 18 gauge mild steel and Powder Coated. Handhole cover with screw is provided. A ground lug with set screw is located near the handhole opening for proper grounding of the pole.

**Bolt Circle:** 8" (Bolt Circle Range 7.5" – 8.5")

**Base Cover:** Two piece 18 gauge steel, Polyester Powder Coated

**Warranty:** 5 Years.

**Foundation design:** Foundation should be designed by an engineer familiar with local soil and wind conditions as well local code where the pole(s) will be installed.

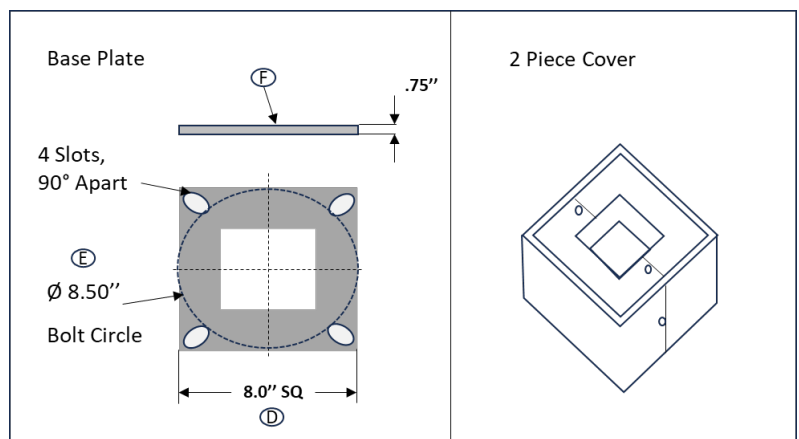


SPECIFICACION TABLE

Mounting Height (ft.)	A	20
Gauge	B	11
Diameter (in.)	C	5
Base Width (in.)	D	8
Bolt Circle (in.)	E	8
Base Thickness (in.)	F	0.75
Anchor Bolt Size (in.)	G	0.75 x 17 x 3
Bolt Circle Range (in.)	-	7.5" – 8.5"
Pole Weight (lbs.)	-	140

MAXIMUM EPA WITH 1.3 GUST FACTOR (SQUARE FEET)

mph	mph	mph	Mph	mph	Mph
90	100	110	120	130	140
10.5	7.7	7.1	5.7	4.7	3.9



# 20 Foot Round Straight Light Pole, 4 Inch Diameter, 11 Gauge



## PRODUCT DESCRIPTION

**Pole Top Options:** A removable pole cap is provided. If tenon option is selected, a steel tenon will be provided.

**Pole Shaft:** Pole shaft is constructed from ATSM-A500 Grade B cold rolled steel and yield strength of 50,000 PSI. All poles are Polyester powder coated finish Bronze. Standard colors are Bronze, White, Grey and Black. Specialty colors available upon request.

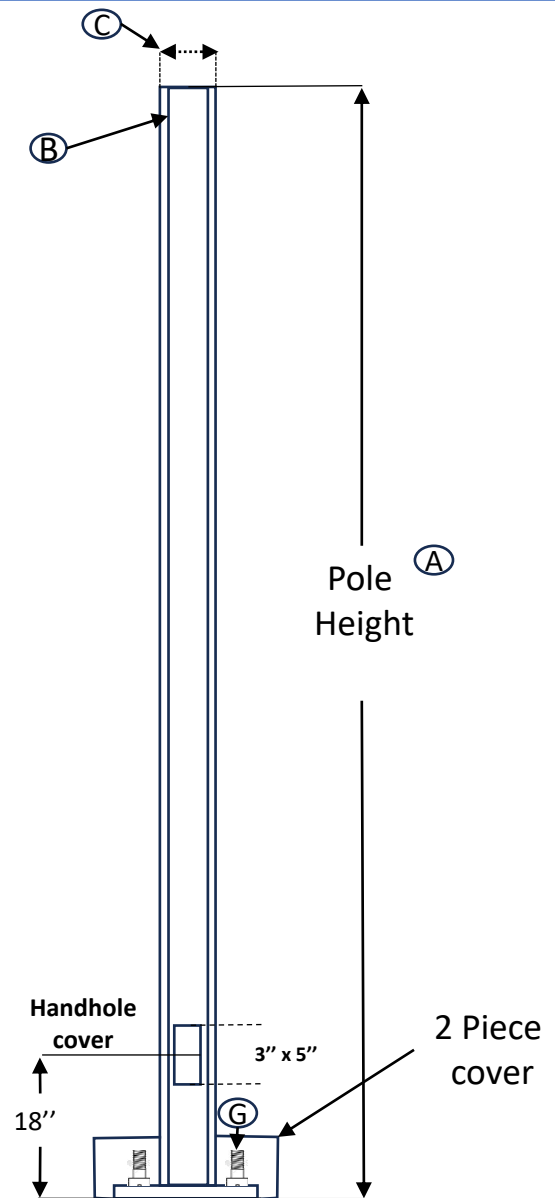
**Handhole:** 3' x 5" size handhole is located at 18 inches from the base made from 18 gauge mild steel and Powder Coated. Handhole cover with screw is provided. A ground lug with set screw is located near the handhole opening for proper grounding of the pole.

**Bolt Circle:** 8 1/2" (Bolt Circle Range 7.5" – 8.5")

**Base Cover:** Two piece 18 gauge steel, Polyester Powder Coated

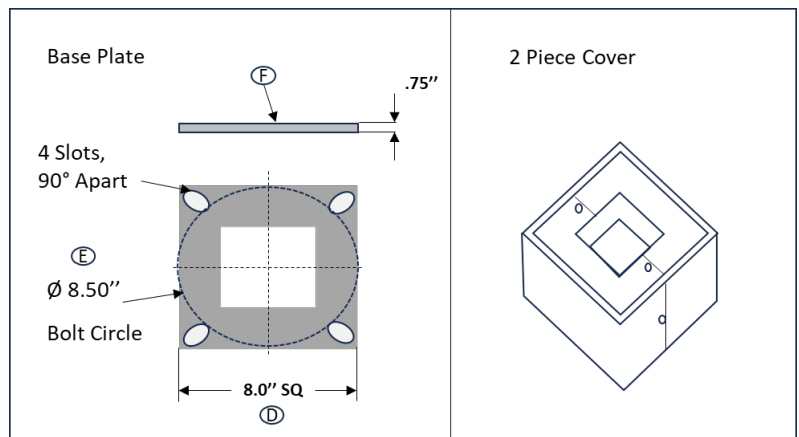
**Warranty:** 5 Years.

**Foundation design:** Foundation should be designed by an engineer familiar with local soil and wind conditions as well local code where the pole(s) will be installed.



SPECIFICACION TABLE		
Mounting Height (ft.)	A	20
Gauge	B	11
Diameter (in.)	C	4
Base Width (in.)	D	8
Bolt Circle (in.)	E	8.5
Base Thickness (in.)	F	0.75
Anchor Bolt Size (in.)	G	0.75 x 17 x 3
Bolt Circle Range (in.)	-	7.5" – 8.5"
Pole Weight (lbs.)	-	114

MAXIMUM EPA WITH 1.3 GUST FACTOR (SQUARE FEET)					
mph	mph	mph	mph	mph	mph
90	100	110	120	130	140
5.6	3.9	3.5	2.4	1.5	1.1



# 20 Foot Round Straight Light Pole, 4 Inch Diameter, 7 Gauge



## PRODUCT DESCRIPTION

**Pole Top Options:** A removable pole cap is provided. If tenon option is selected, a steel tenon will be provided.

**Pole Shaft:** Pole shaft is constructed from ATSM-A500 Grade B cold rolled steel and yield strength of 50,000 PSI. All poles are Polyester powder coated finish Bronze. Standard colors are Bronze, White, Grey and Black. Specialty colors available upon request.

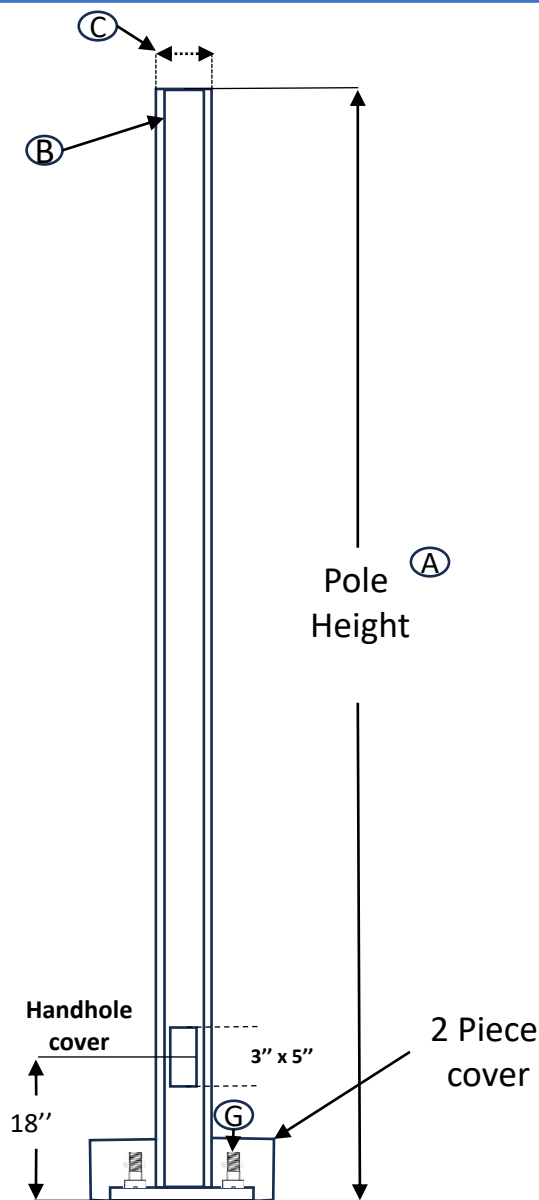
**Handhole:** 3' x 5" size handhole is located at 18 inches from the base made from 18 gauge mild steel and Powder Coated. Handhole cover with screw is provided. A ground lug with set screw is located near the handhole opening for proper grounding of the pole.

**Bolt Circle:** 8 1/2" (Bolt Circle Range 8" – 11")

**Base Cover:** Two piece 18 gauge steel, Polyester Powder Coated

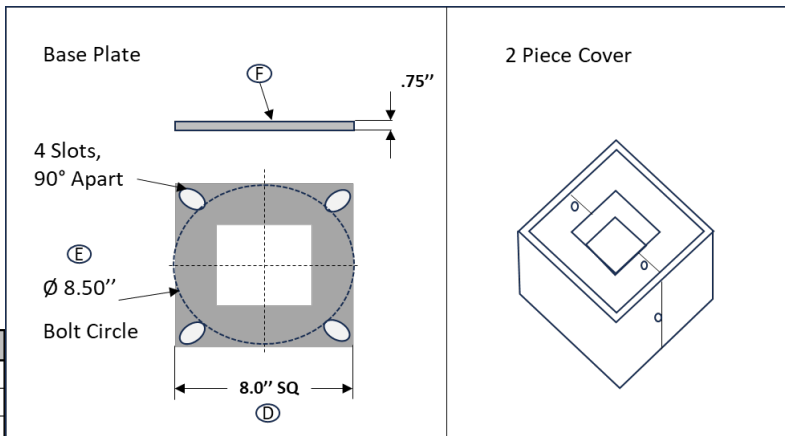
**Warranty:** 5 Years.

**Foundation design:** Foundation should be designed by an engineer familiar with local soil and wind conditions as well local code where the pole(s) will be installed.



SPECIFICACION TABLE		
Mounting Height (ft.)	A	20
Gauge	B	7
Diameter (in.)	C	4
Base Width (in.)	D	10.5
Bolt Circle (in.)	E	8
Base Thickness (in.)	F	0.75
Anchor Bolt Size (in.)	G	0.75 x 17 x 3
Bolt Circle Range (in.)	-	7" – 9"
Pole Weight (lbs.)	-	120

MAXIMUM EPA WITH 1.3 GUST FACTOR (SQUARE FEET)					
mph	mph	mph	mph	mph	mph
80	90	100			





# 16 Foot Round Straight Light Pole, 4 Inch Diameter, 11 Gauge



## PRODUCT DESCRIPTION

**Pole Top Options:** A removable pole cap is provided. If tenon option is selected, a steel tenon will be provided.

**Pole Shaft:** Pole shaft is constructed from ATSM-A500 Grade B cold rolled steel and yield strength of 50,000 PSI. All poles are Polyester powder coated finish Bronze. Standard colors are Bronze, White, Grey and Black. Specialty colors available upon request.

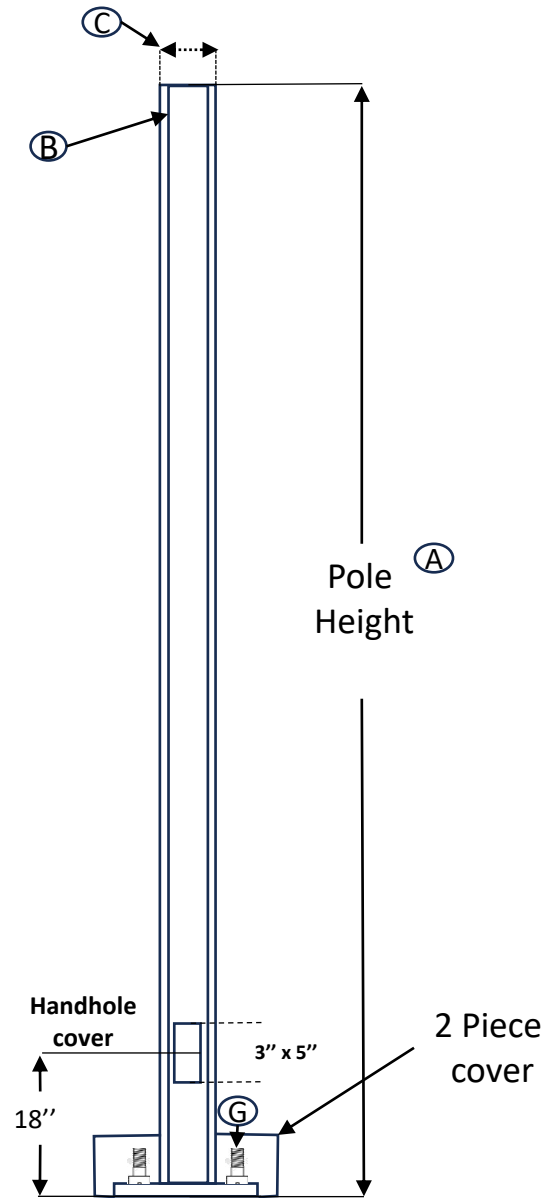
**Handhole:** 3' x 5" size handhole is located at 18 inches from the base made from 18 gauge mild steel and Powder Coated. Handhole cover with screw is provided. A ground lug with set screw is located near the handhole opening for proper grounding of the pole.

**Bolt Circle:** 8.5" (Bolt Circle Range 8" – 9")

**Base Cover:** Two piece 18 gauge steel, Polyester Powder Coated

**Warranty:** 5 Years.

**Foundation design:** Foundation should be designed by an engineer familiar with local soil and wind conditions as well local code where the pole(s) will be installed.



SPECIFICACION TABLE

Mounting Height (ft.)	A	16
Gauge	B	11
Diameter (in.)	C	4
Base Width (in.)	D	8
Bolt Circle (in.)	E	8.5
Base Thickness (in.)	F	0.75
Anchor Bolt Size (in.)	G	0.75 x 17 x 3
Bolt Circle Range (in.)	-	8" – 9"
Pole Weight (lbs.)	-	115

MAXIMUM EPA (SQUARE FEET)

mph	mph	mph	mph	mph	mph
90	100	110	120	130	140
14.0	10.7	9.7	7.6	5.9	4.6

